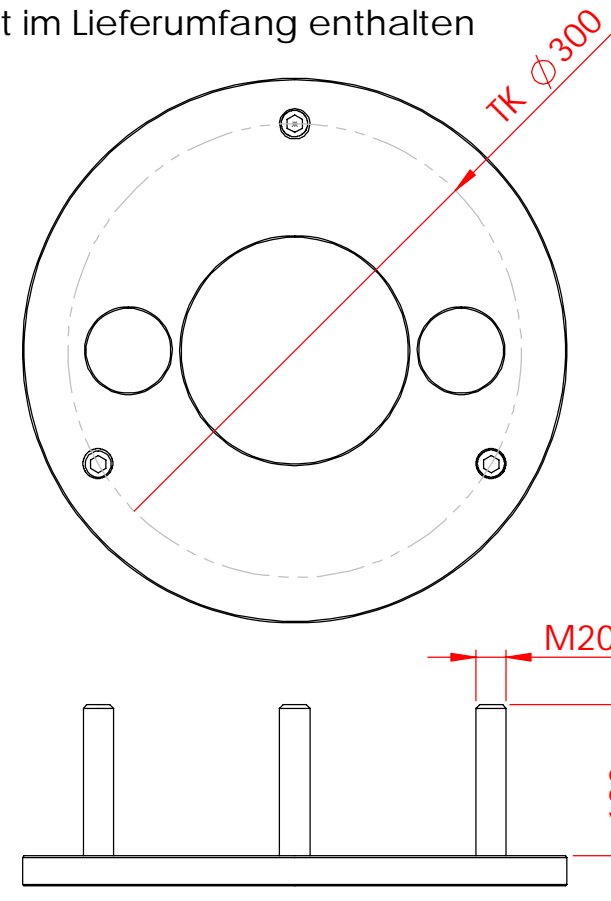
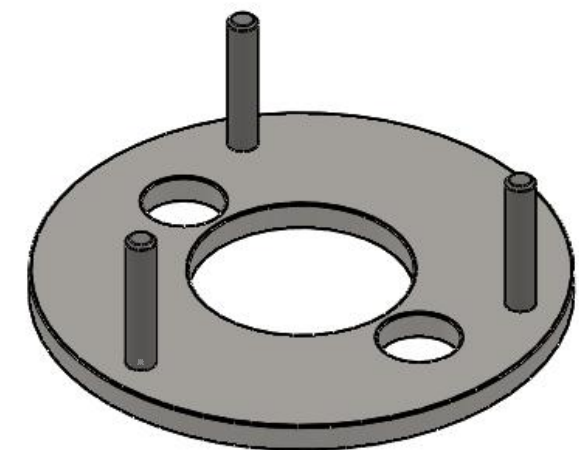


nicht im Lieferumfang enthalten



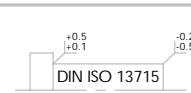
Gewindestifte M20x100 TK300 anbringen an Säule zum Adaptieren unseres Nivellierflansches



Dimensions without given tolerance have a tolerance of ± 0.1 mm.

This technical design drawing is proprietary, we do reserve all rights. Unauthorized copying, unauthorized use or information of third parties of it's contents without our written consent is considered a serious infringement and will be prosecuted by law

1.	-	-	-
2.			
3.			
4.			



NAME	DATE
DRAWN	
INSPECTED	
PRODUCTION	

BAADER PLANETARIUM
ZUR STERNWARTE
82291 MAMMENDORF
Phone 08145/8802
Fax 08145/8805

Surface: Scale: 1:1 WEIGHT : A4

MATERIAL:

ARTICLE:
GM 4000 Leveling Flange

DRAWING NO.:

No.: Change ment Date Name Ers.f.

Whgr.

BLATT 1 VON 1